

JP Patent First Publication No. 11-95866

TITLE: STAND WITH TILTING FUNCTION

Abstract:

PROBLEM TO BE SOLVED: To make almost all people able to simultaneously look at a display surface by turning it to a horizontal posture while the person on a back side can not view it when it is in a vertical posture in a conference or the like where many people gather.

SOLUTION: In order to change a display or the like from a vertical screen to a screen close to horizontal and make many people able to simultaneously view the same screen, a first shaft 3 is non-rotatably inserted between the supporting holes 2 of a bracket 1, the first bearing part 4a of an arm 4 is rotatably fitted to the first shaft 3, a second shaft 8 is non-rotatably inserted between the supporting holes 7 of the attaching metal fitting 6 of the display 5 and the second bearing part 4b of the arm 4 is rotatably fitted to the second shaft 8. A large gear 9 is fitted and fixed to the first shaft 3 at the outer side position of the bracket 1 and a small gear 10 is fitted and fixed to the second shaft 8 at the outer side position of the supporting hole 7 of the attaching metal fitting 6 respectively. An endless toothed belt 11 is wound between the large gear 9 and the small gear 10 and the display 5 held in a vertical state is turned to an almost horizontal state by the displacement of the toothed belt 11 when the side of the first bearing part 4a of the arm 4 has been turned in a lowering direction.

PATENT ABSTRACTS OF JAPAN

(11)Publication number : 11-095866

(43)Date of publication of application : 09.04.1999

(51)Int.Cl.

G06F 1/16

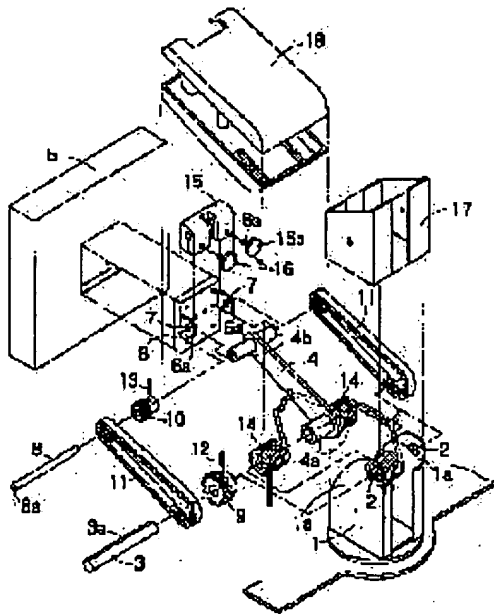
(21)Application number : 09-258312

(71)Applicant : UCHIDA YOKO CO LTD

(22)Date of filing : 24.09.1997

(72)Inventor : KANAI HIROSHI

(54) STAND WITH TILTING FUNCTION



(57)Abstract:

PROBLEM TO BE SOLVED: To make almost all people able to simultaneously look at a display surface by turning it to a horizontal posture while the person on a back side can not view it when it is in a vertical posture in a conference or the like where many people gather.

SOLUTION: In order to change a display or the like from a vertical screen to a screen close to horizontal and make many people able to simultaneously view the same screen, a first shaft 3 is non-rotatably inserted between the supporting holes 2 of a bracket 1, the first bearing part 4a of an arm 4 is rotatably fitted to the first shaft 3, a second shaft 8 is non-rotatably inserted between the supporting holes 7 of the attaching metal fitting 6 of the display 5 and the second bearing part 4b of the arm 4 is rotatably fitted to the second shaft 8. A large gear 9 is fitted and fixed to the first shaft 3 at the outer side position of the bracket 1 and a small gear 10 is fitted and fixed to the second shaft 8 at the outer side position of the supporting hole 7 of the attaching metal fitting 6 respectively. An endless toothed belt 11 is

wound between the large gear 9 and the small gear 10 and the display 5 held in a vertical state is turned to an almost horizontal state by the displacement of the toothed belt 11 when the side of the first bearing part 4a of the arm 4 has been turned in a lowering direction.

LEGAL STATUS

[Date of request for examination]

15.09.2004

[Date of sending the examiner's decision of rejection]

[Kind of final disposal of application other than the examiner's decision of rejection or

the examiner's decision of rejection or
application converted registration]

[Date of final disposal for application]

[Patent number]

[Date of registration]

[Number of appeal against examiner's decision
of rejection]

[Date of requesting appeal against examiner's
decision of rejection]

[Date of extinction of right]